

Mr. Jones



adea

Mr. Jones

Design Alexander Lervik

Mr. Jones is a contemporary version of the archetypical British Howard sofa with neater, stricter lines. Its comfiness is luxurious, while keeping its dimensions compact.

The unique padding of Mr. Jones, consisting of high-quality high resilience foam, viscoelastic foam and soft feathers adjusts itself to each person sitting on the sofa, but returns to its shape after use.



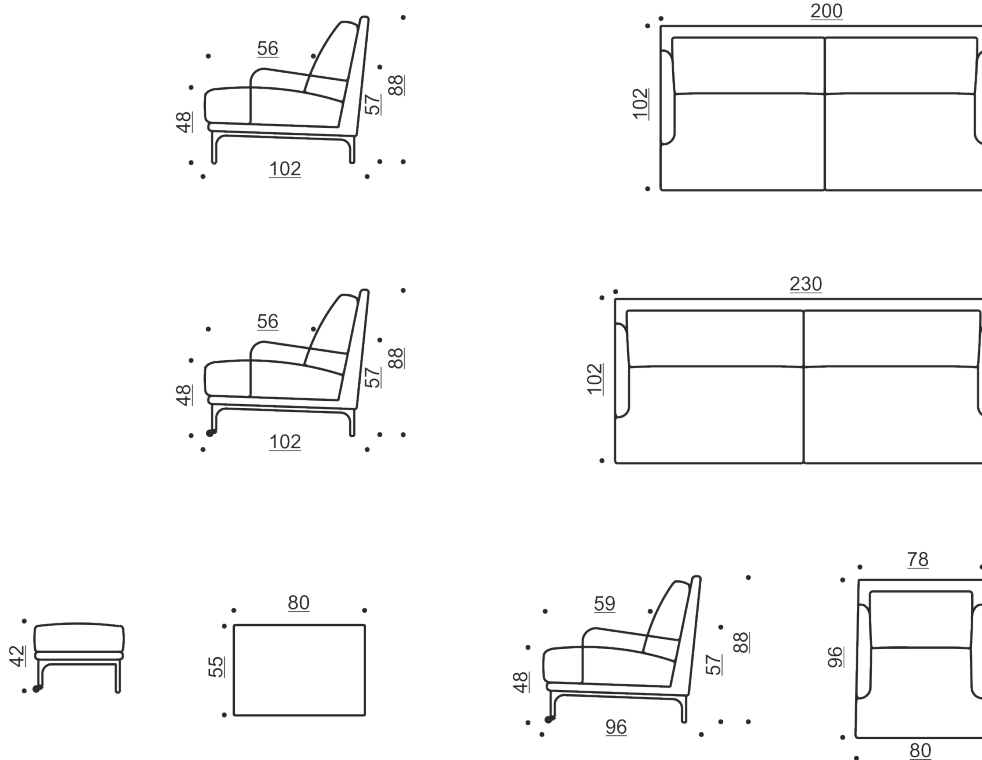
Mr. Jones 230 - Aurora 11

Front and back cover photos: Mr. Jones armchair – Aurora 10



Mr. Jones 230 - Aurora 08

Measurements



All measurements +/- 3 cm

Upholstery: removable fabric upholstery, fixed leather upholstery.

adea



www.adea.fi
[@adeacollection](https://www.instagram.com/adeacollection)

info@adea.fi
+358 20 7288 620

